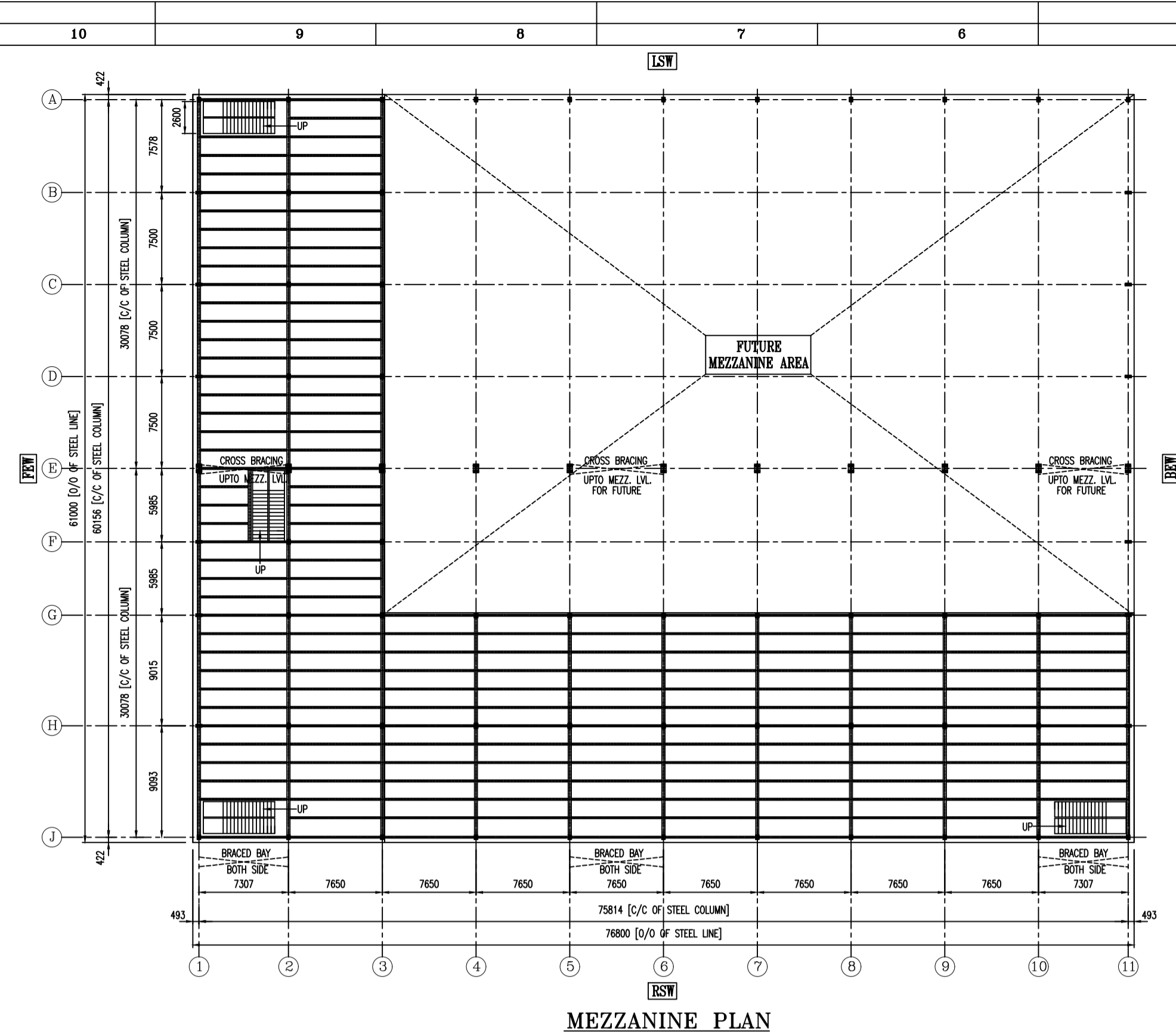
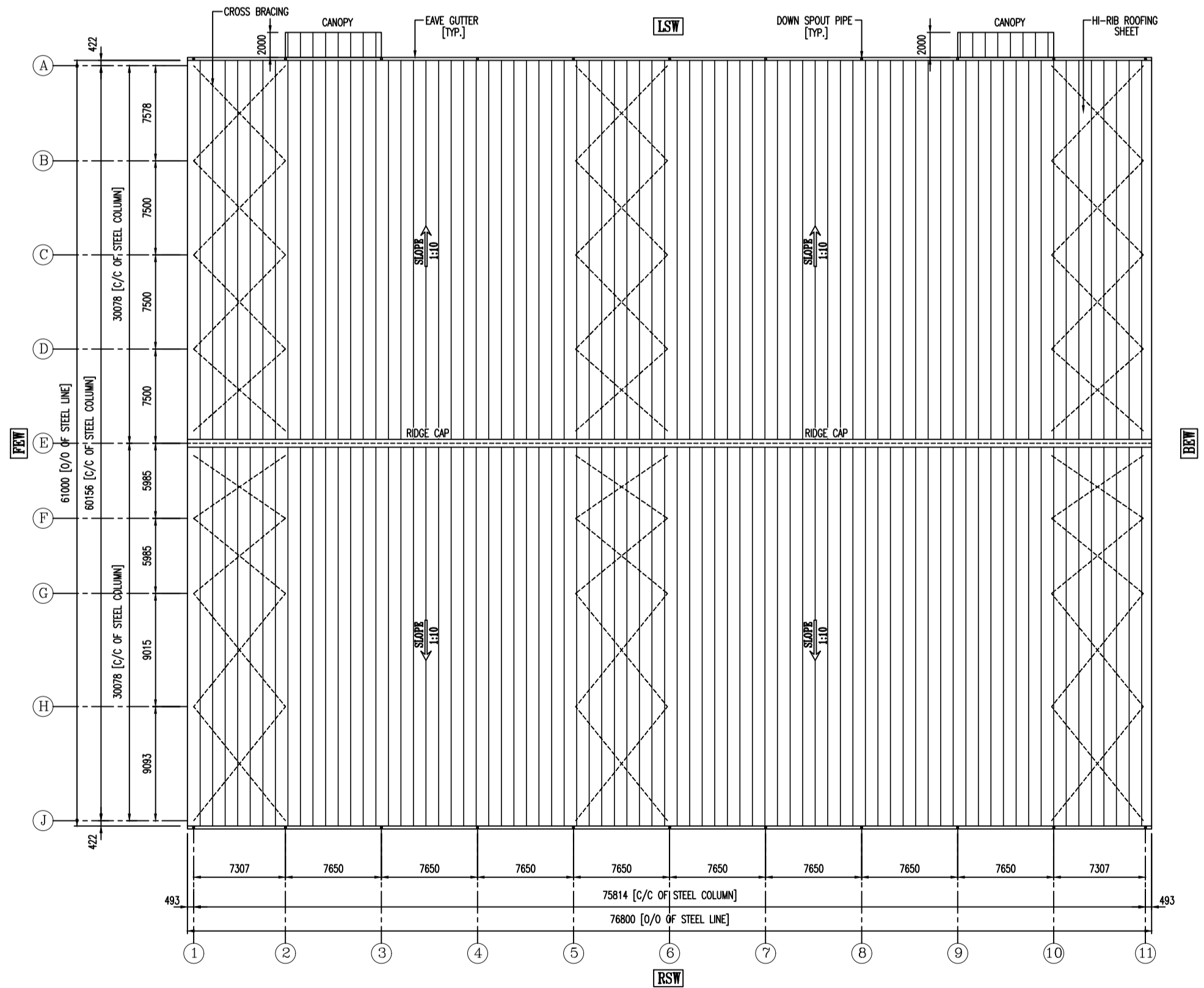


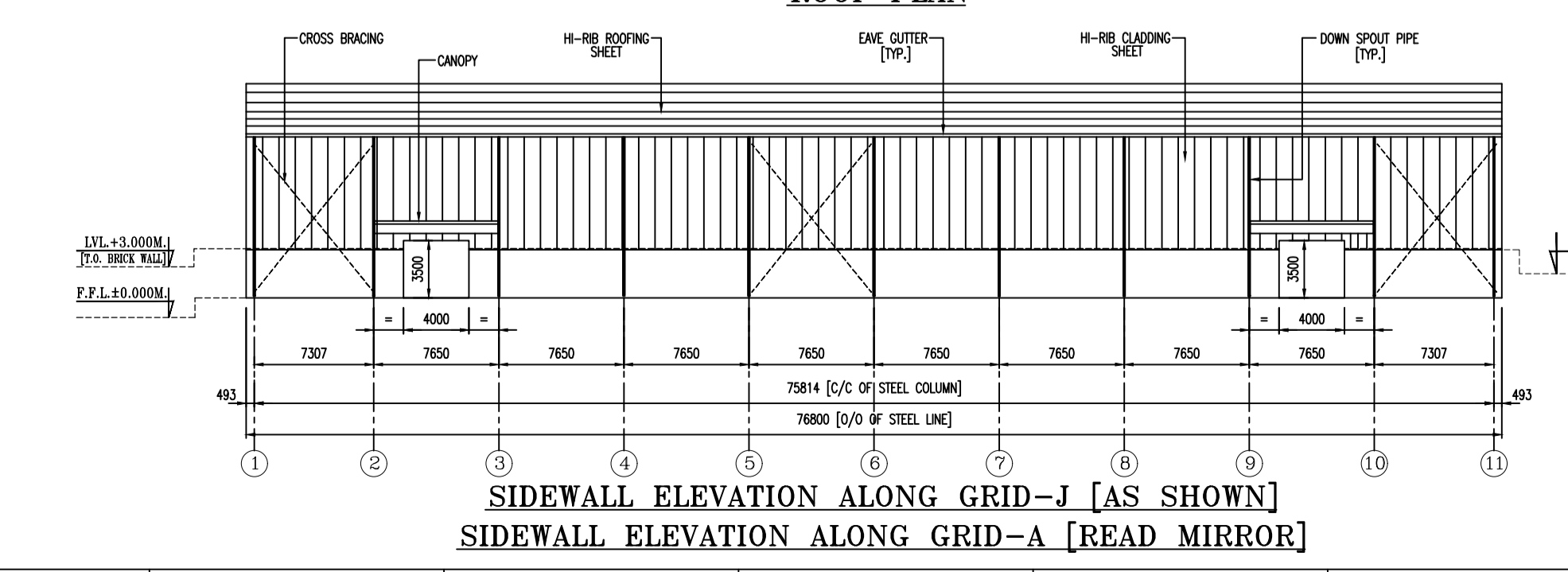
FLOOR PLAN



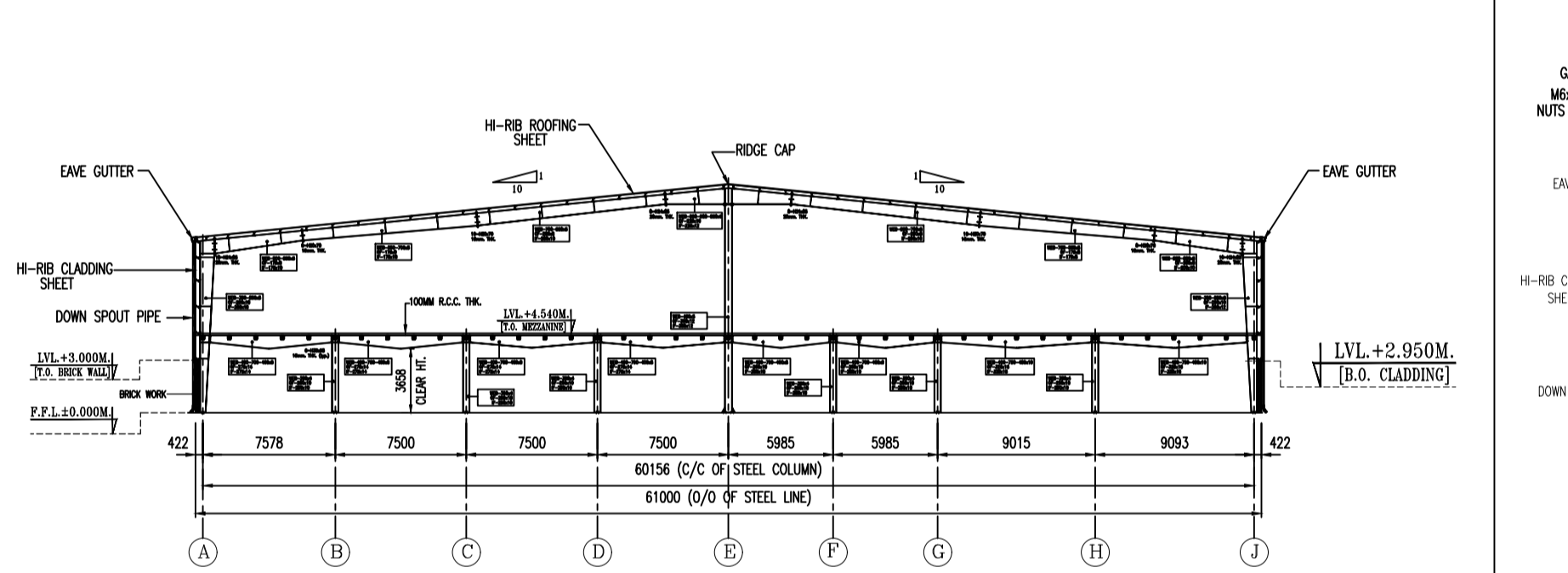
MEZZANINE PLAN



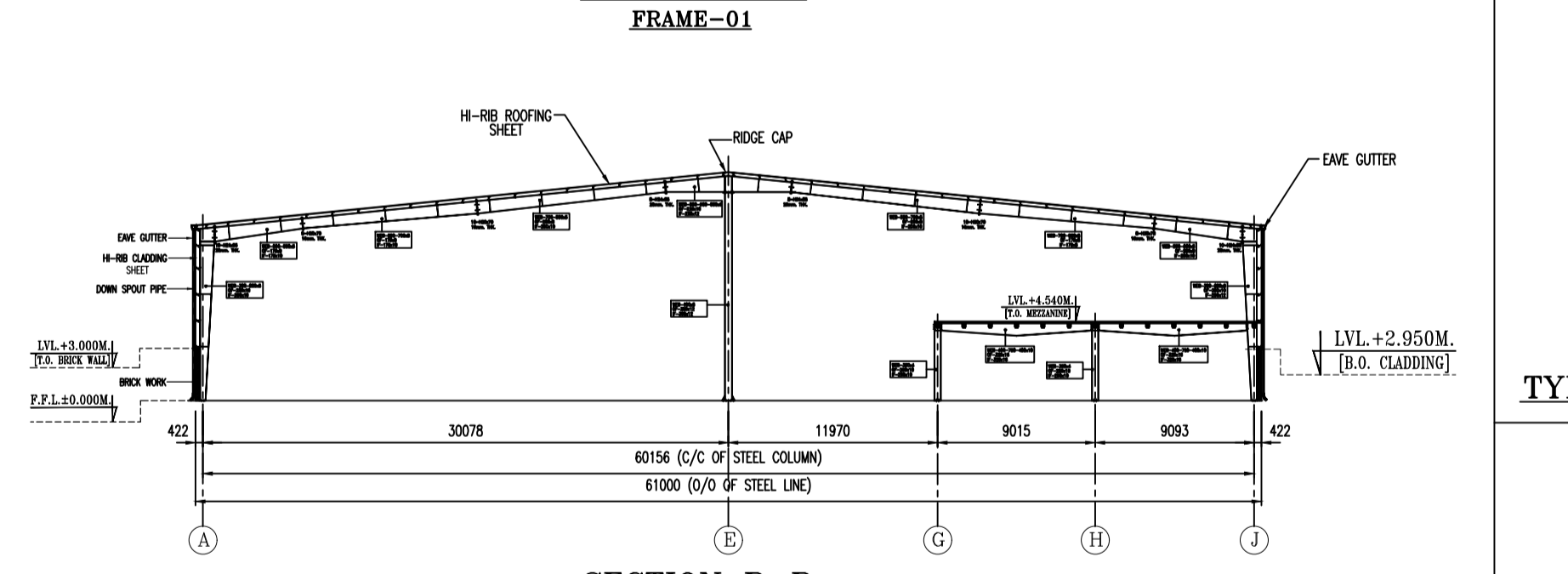
ROOF PLAN



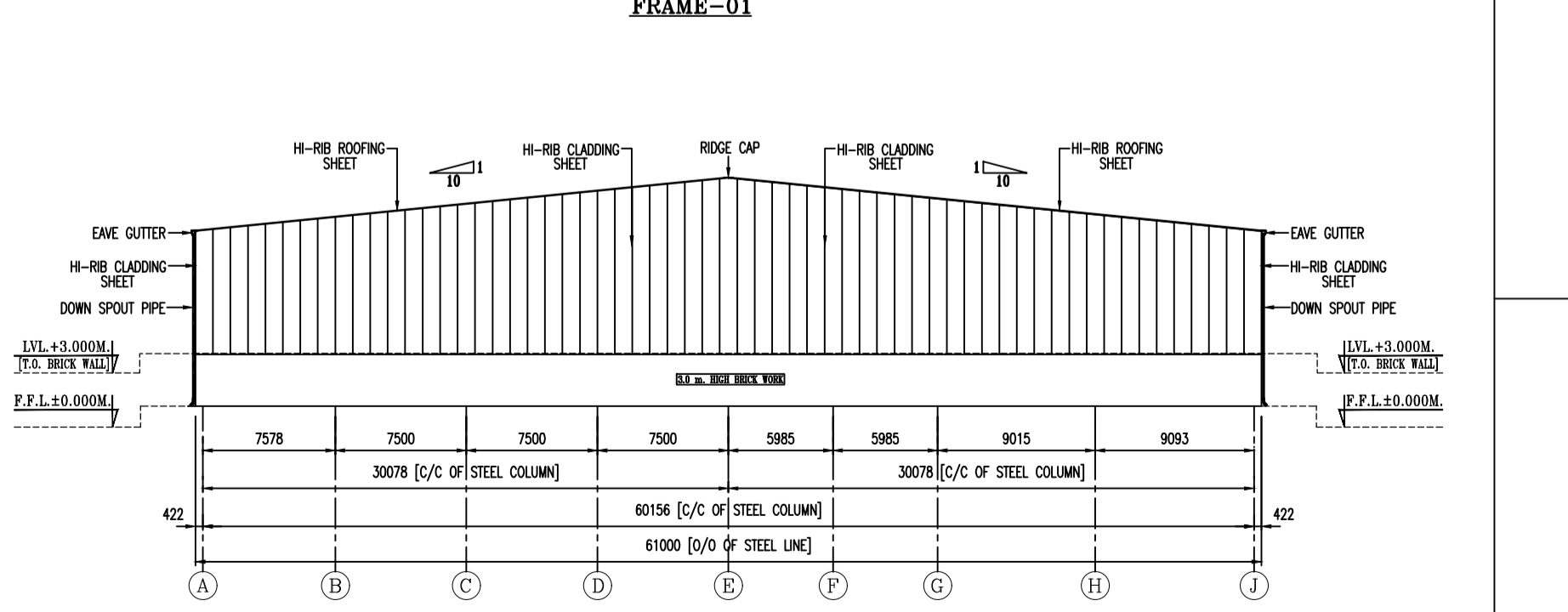
SIDEWALL ELEVATION ALONG GRID-J [AS SHOWN]
SIDEWALL ELEVATION ALONG GRID-A [READ MIRROR]



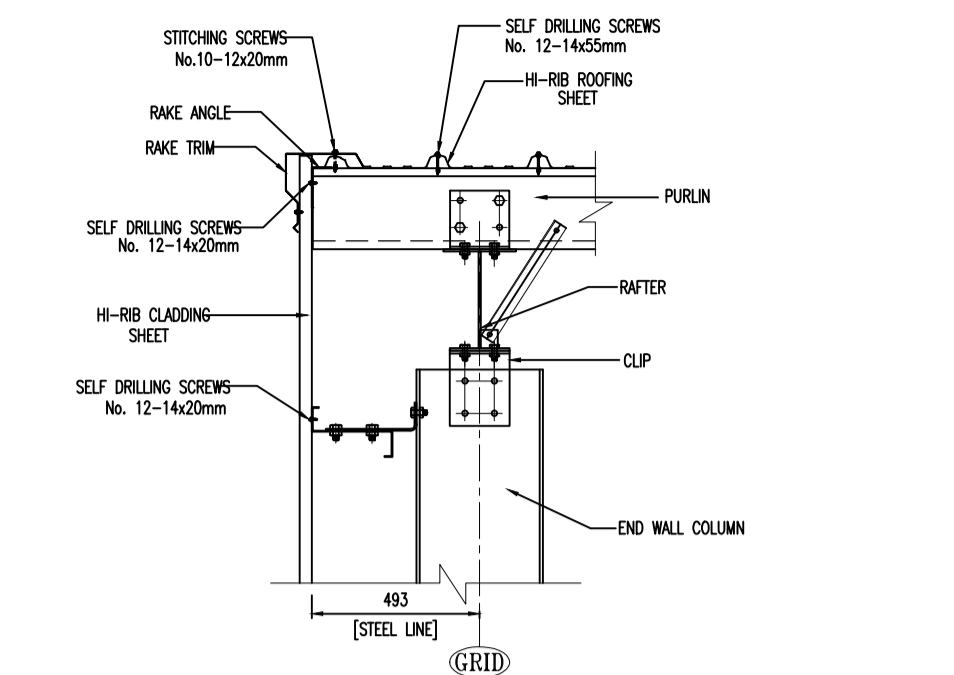
SECTION A-A
FRAME-01



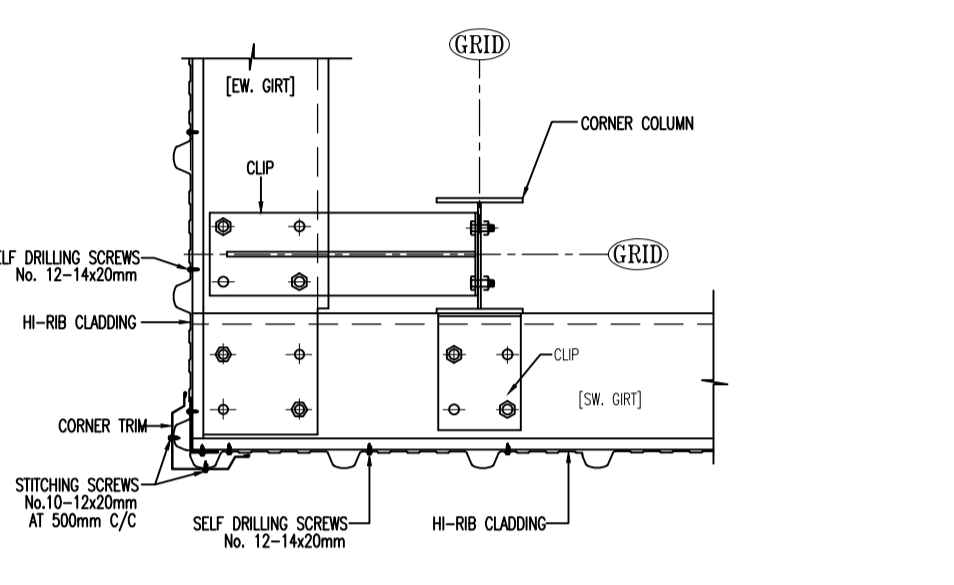
SECTION B-B
FRAME-01



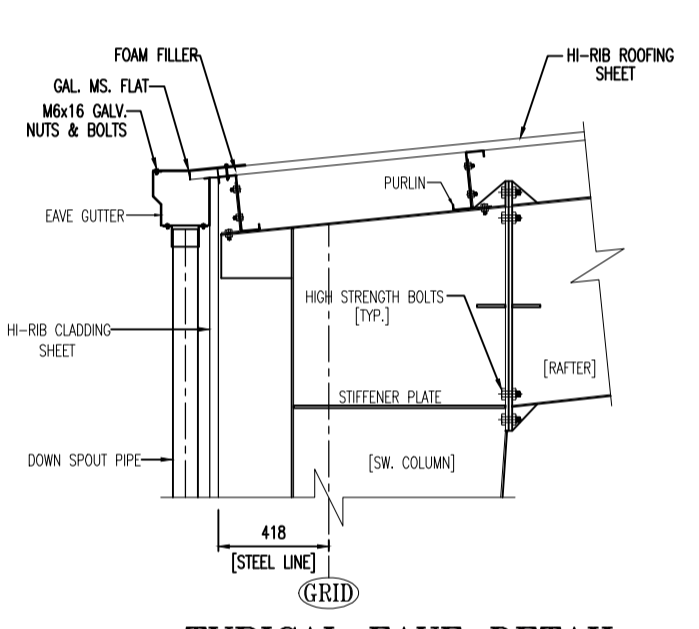
ENDWALL ELEVATION ALONG GRID-1 [AS SHOWN]
ENDWALL ELEVATION ALONG GRID-11 [READ MIRROR]



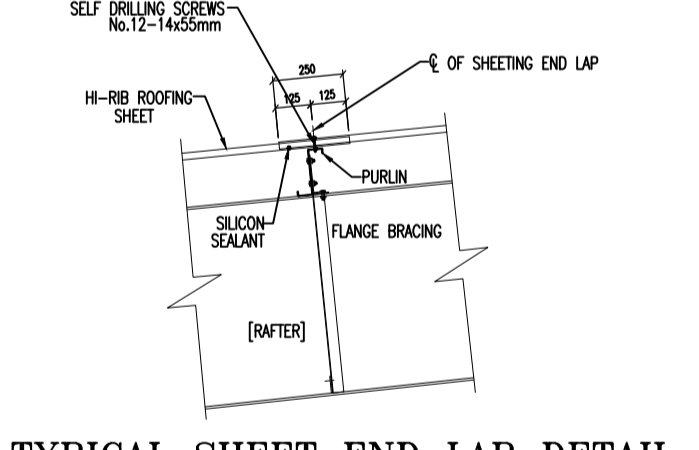
TYPICAL GABLE END CONNECTION DETAIL



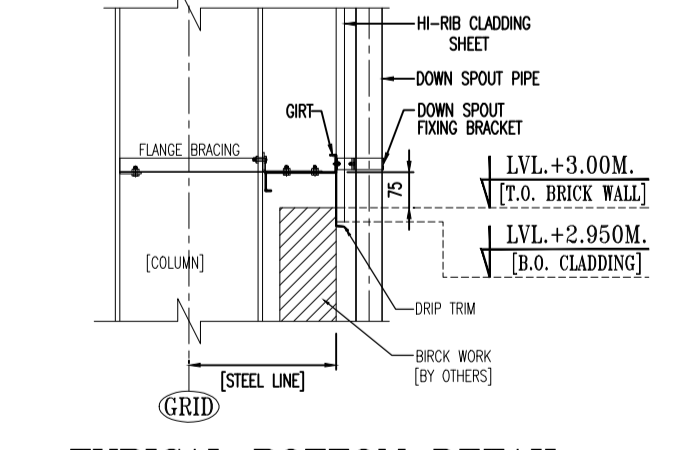
TYPICAL CORNER DETAIL



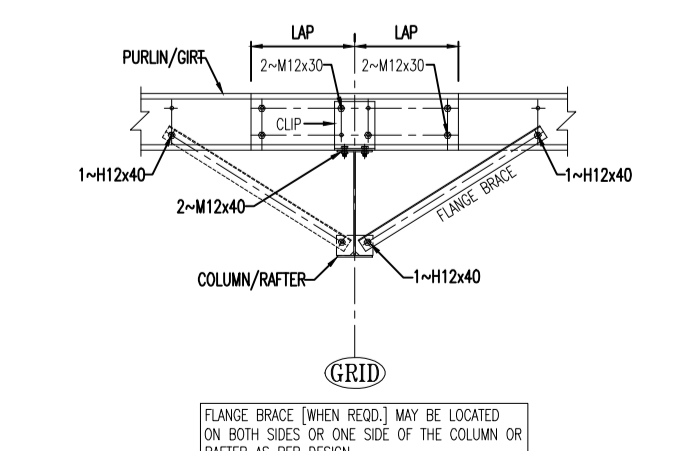
TYPICAL EAVE DETAIL



TYPICAL SHEET END LAP DETAIL



TYPICAL BOTTOM DETAIL



TYPICAL FLANGE BRACE DETAIL

FOR CLIENT USE

- APPROVED: FABRICATION WORK MAY BE TAKEN UP.
- APPROVED WITH COMMENTS: FABRICATION MAY BE TAKEN UP INCORPORATING COMMENTS.
- TO BE RESUBMITTED AFTER INCORPORATING COMMENTS FOR APPROVAL.

(PLEASE TICK ' ' THE APPROPRIATE ONE)

SEAL & SIGNATURE.

NOTES:-

1. ALL DIMENSIONS ARE IN MM.

REV	REVISIONS	0	NAME	DATE
Project:				
Client:				
Drawing Title:	FLOOR PLAN, ROOF PLAN, MEZZANINE PLAN, MAIN FRAME SECTIONS, END WALL, SIDE WALL ELEVATIONS AND DETAILS.			
Architect:				
PFB :				
Drawn by:	DP	Signature	Scale:	Date: 15/07/2015
Checked by:	Hitesh	Project No:	Drawing No:	Revision:
Approved by:	Hitesh		GA-001	RO